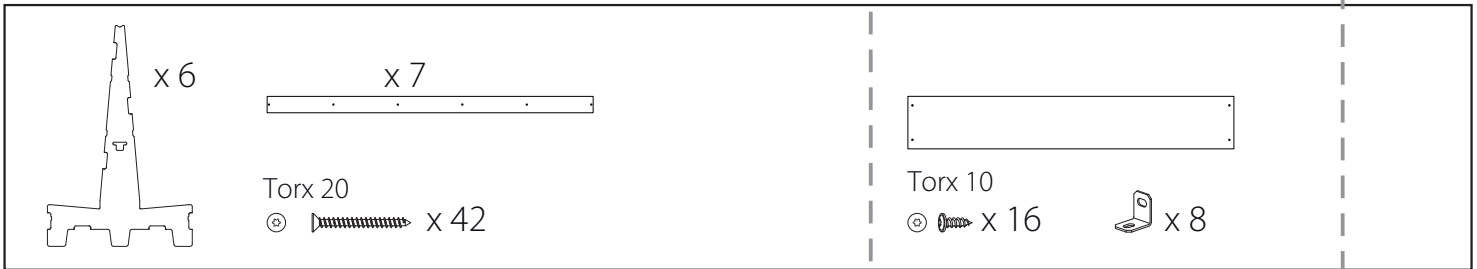


Table of contents:

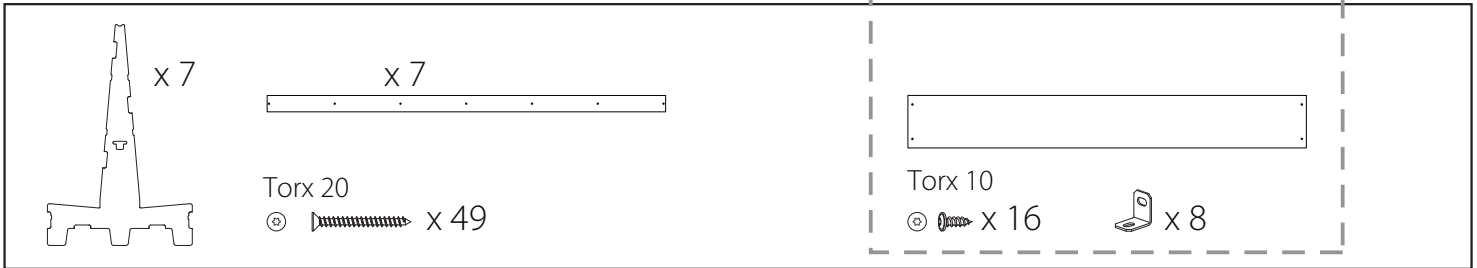
**TG80.150 / 5 uprights**



**TG80.180 / 6 uprights**

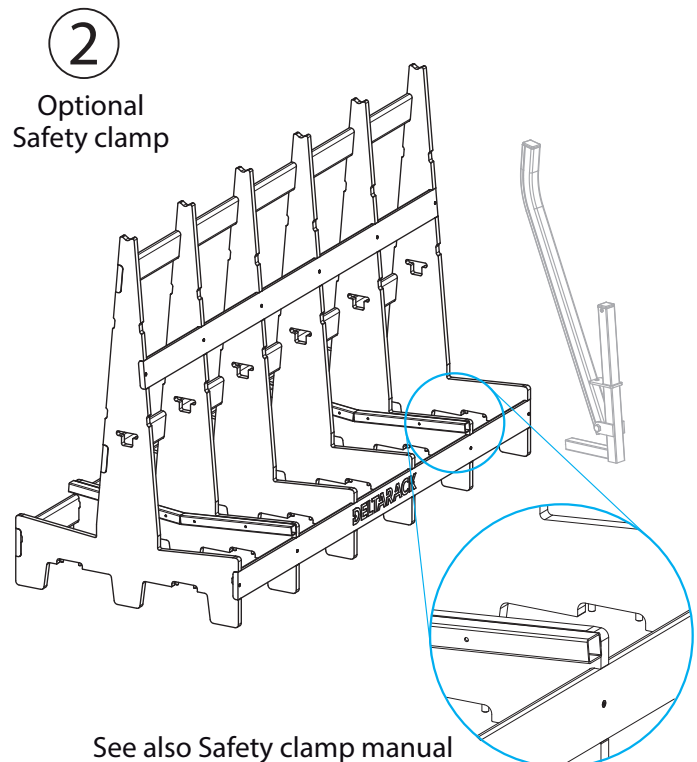
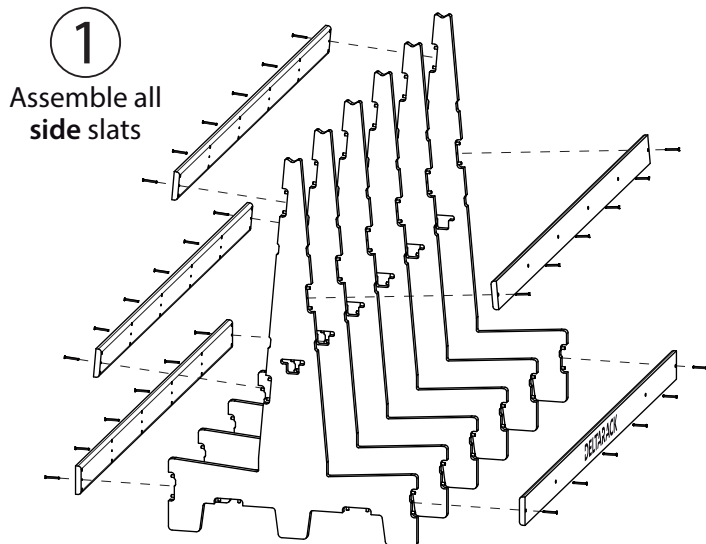


**TG80.220 / 7 uprights**



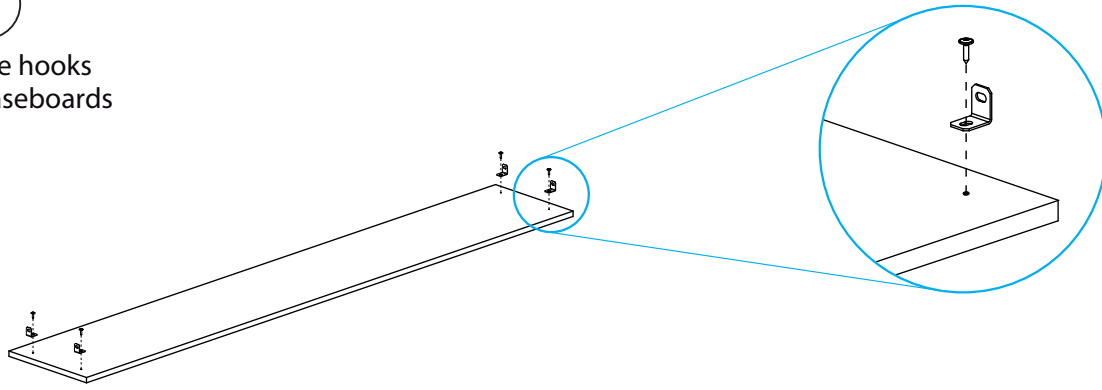
Assembly instructions:

- No Baseboard: Step ① ⑤ ⑥ ⑦
- Baseboard: Step ① ③ ④ ⑤ ⑥ ⑦
- Optional MSC Safety clamp: Step ②



3

Assemble hooks  
to the 2 Baseboards



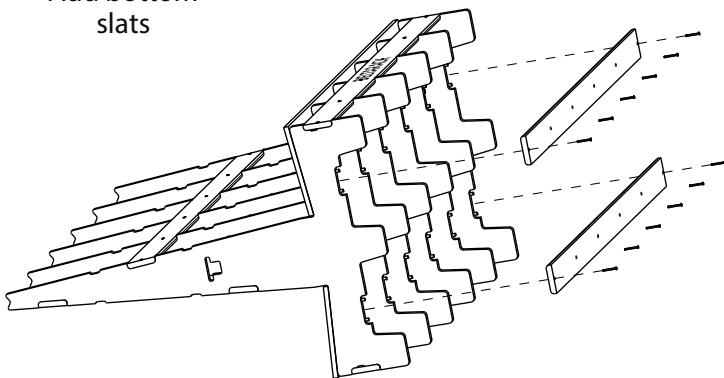
4

Assemble  
the 2 Baseboards  
to rack



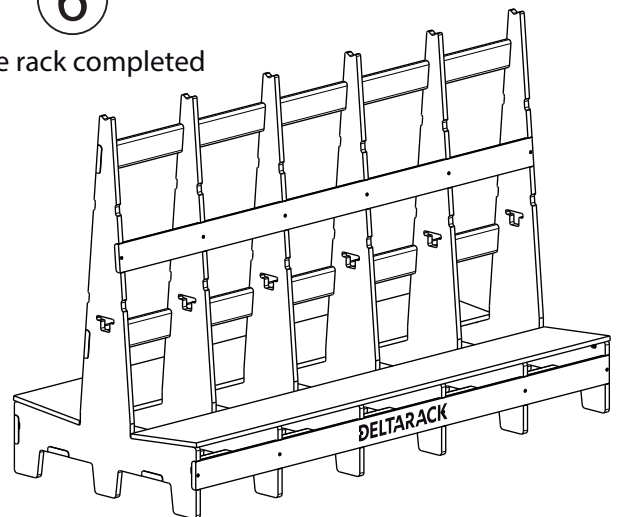
5

Add bottom  
slats



6

Base rack completed



7

Build  
wheelboards

See Wheelboard Assembly Guidelines