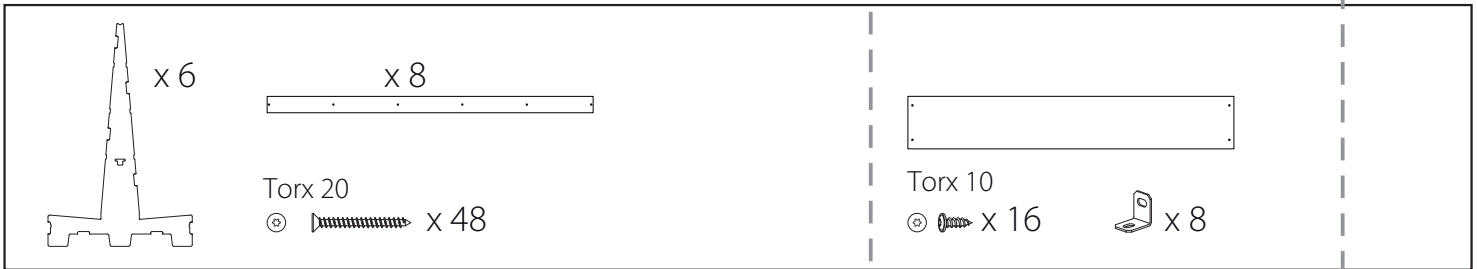


Table of contents:

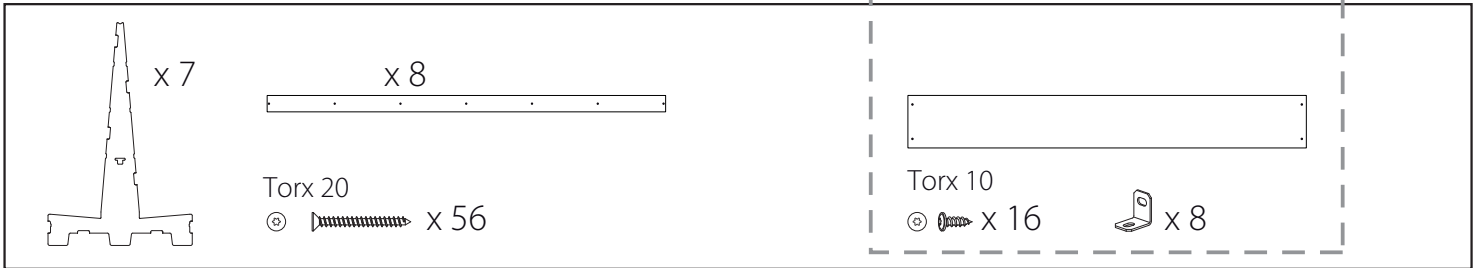
TR110.150 / 5 uprights



TR110.180 / 6 uprights

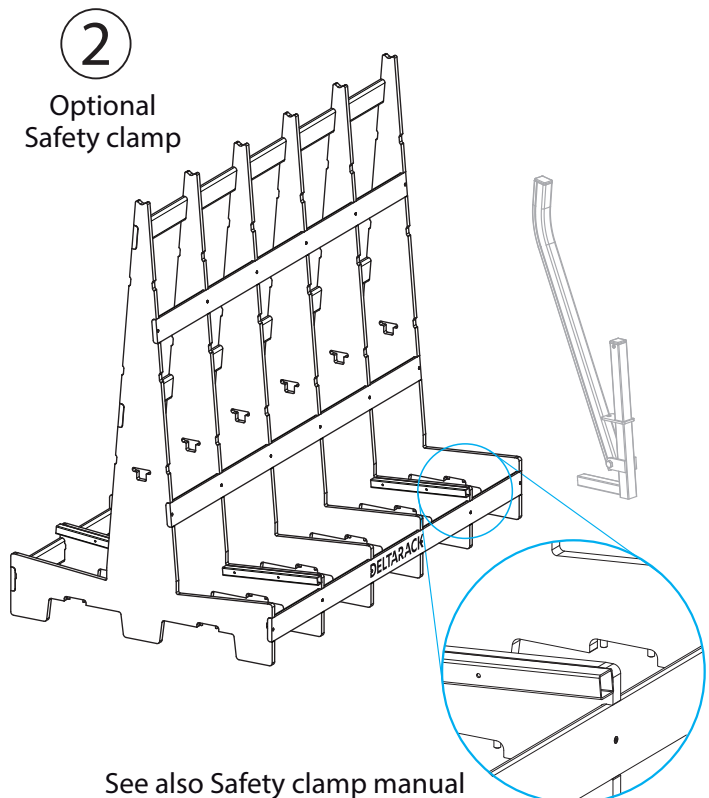
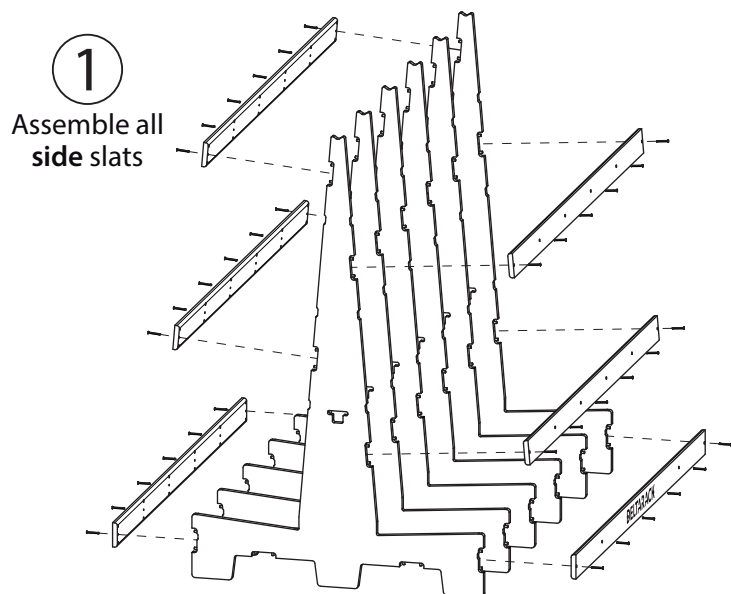


TR110.220 / 7 uprights



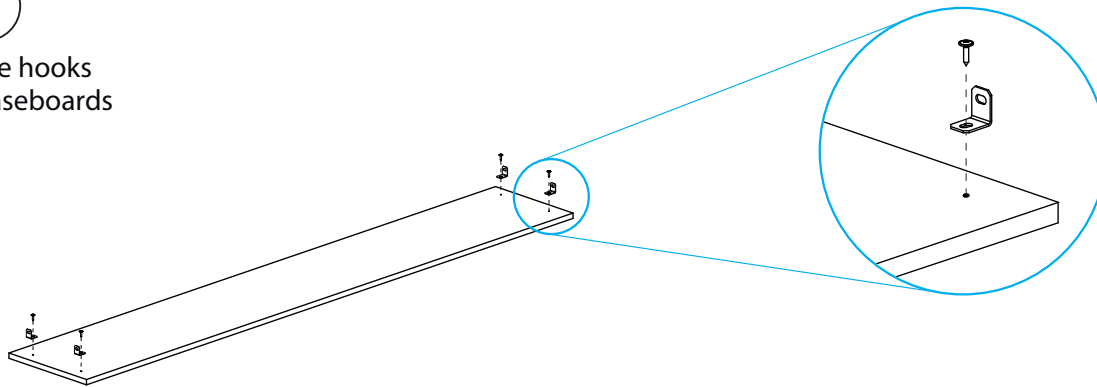
Assembly instructions:

- No Baseboard: Step ① ⑤ ⑥ ⑦
- Baseboard: Step ① ③ ④ ⑤ ⑥ ⑦
- Optional MSC Safety clamp: Step ②



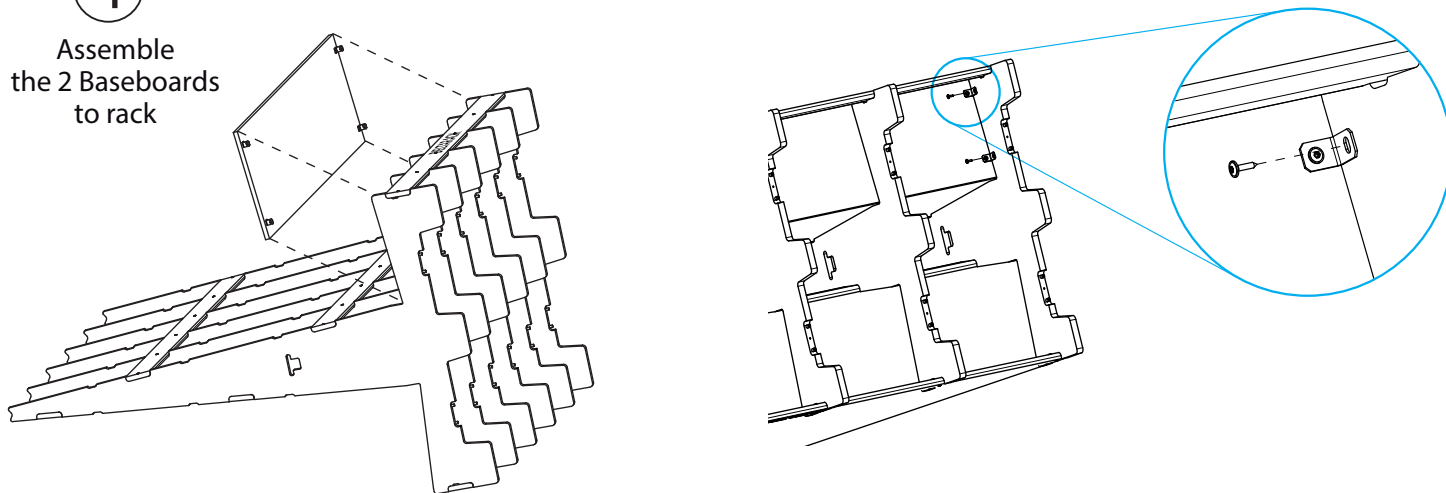
3

Assemble hooks  
to the 2 Baseboards



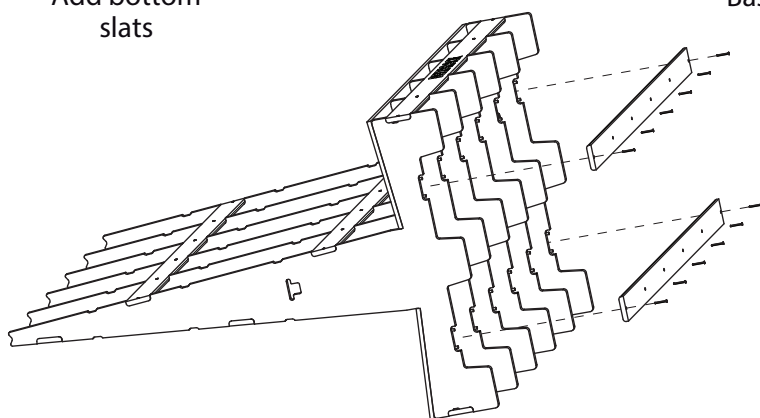
4

Assemble  
the 2 Baseboards  
to rack



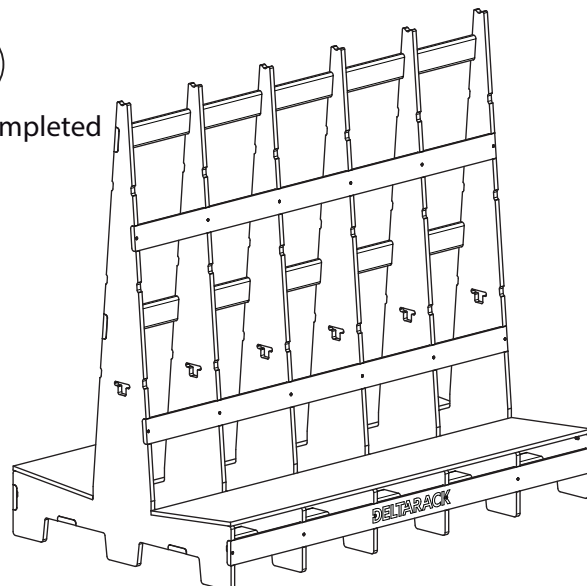
5

Add bottom  
slats



6

Base rack completed



7

Build  
wheelboards

See Wheelboard Assembly Guidelines