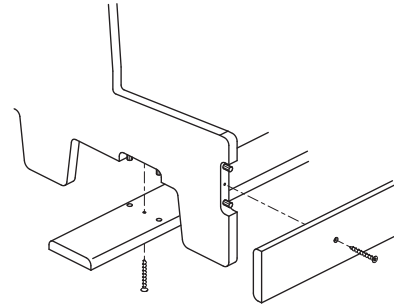
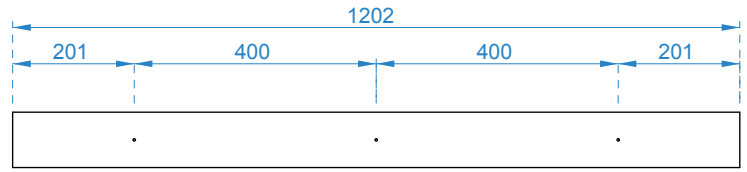
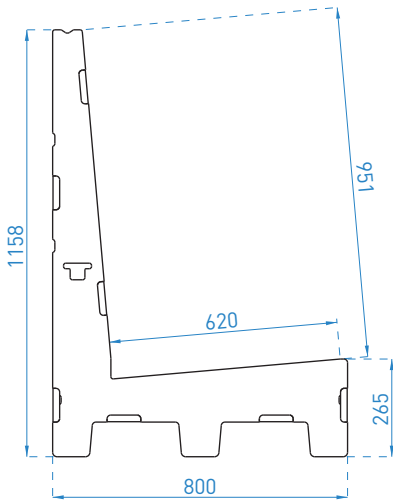


Assembly Guidelines

SL80.120/ 2 Uprights

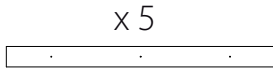
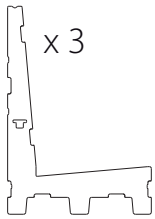
SL80.120/ 3 Uprights

SL80.120/ 4 Uprights



LIMITED USE

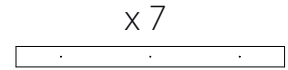
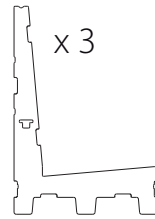
WEIGHT: 16 KG



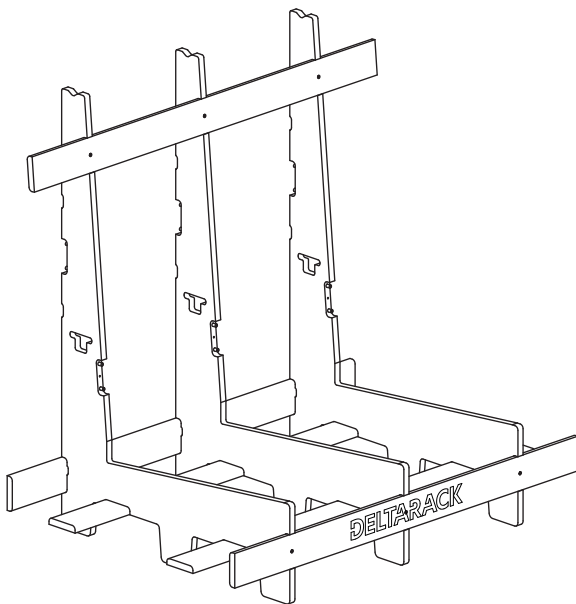
Torx 20
⊕ → x 15

EXTENSIVE USE

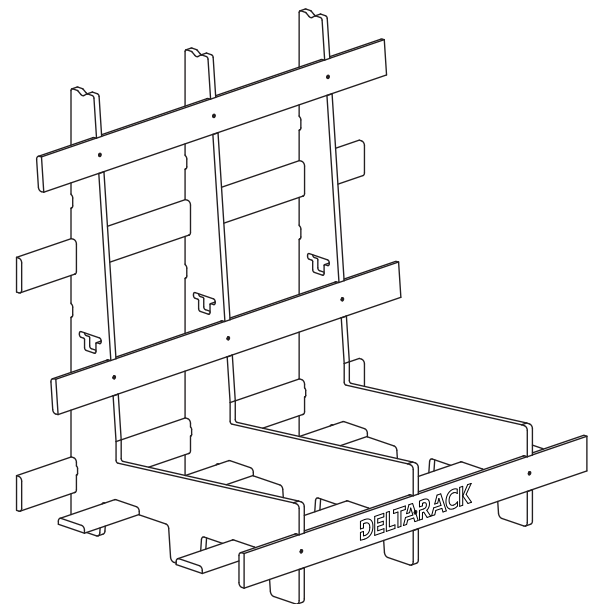
WEIGHT: 19 KG



Torx 20
⊕ → x 21

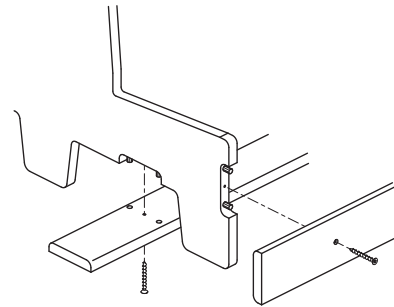
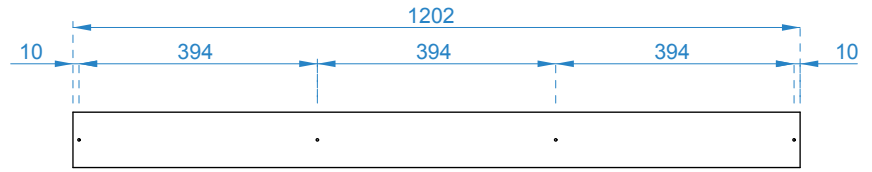
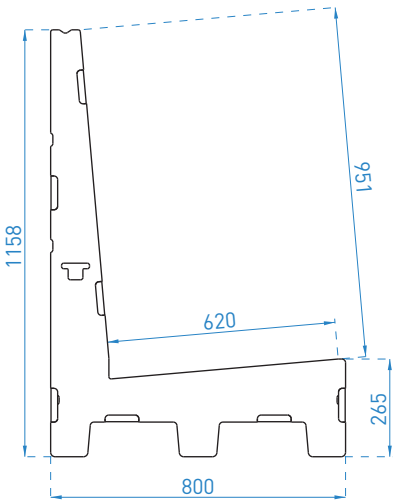


SL80.5.120 / 3 uprights



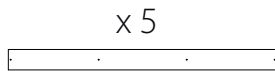
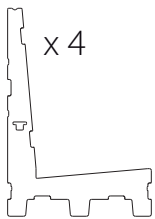
SL80.7.120 / 3 uprights

(*) Load needs to be equally distributed over all vertical uprights of the rack



LIMITED USE

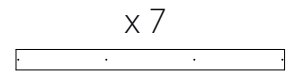
WEIGHT: 20 KG



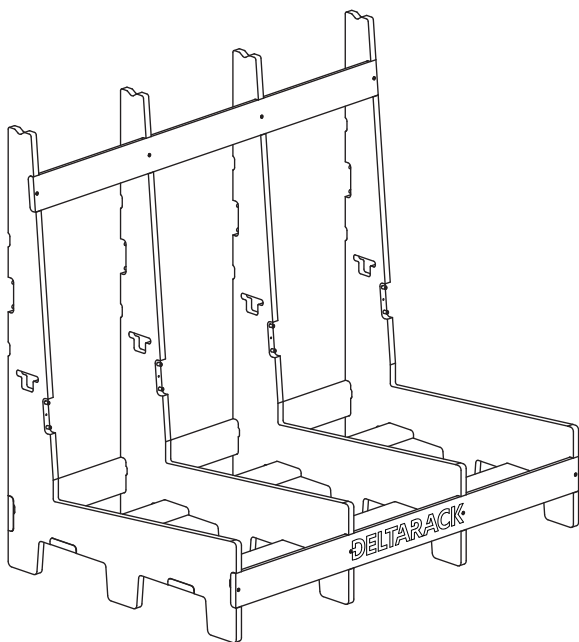
Torx 20
⊕ → x 20

EXTENSIVE USE

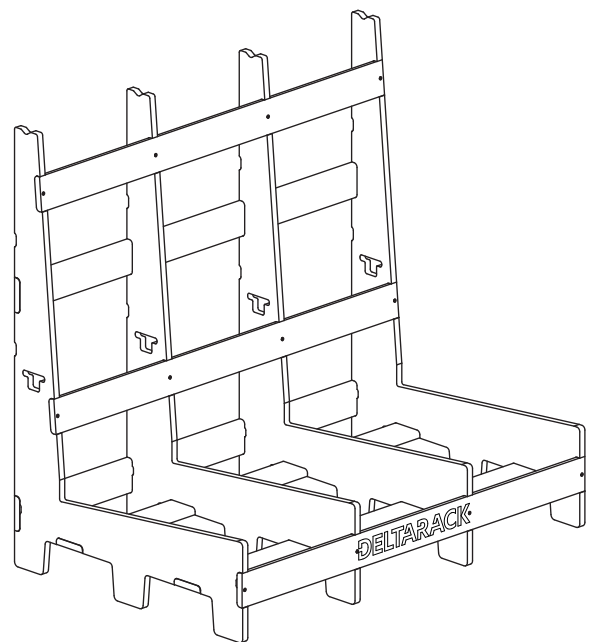
WEIGHT: 22 KG



Torx 20
⊕ → x 28



SL80.5.120 / 4 uprights



SL80.7.120 / 4 uprights

(*) Load needs to be equally distributed over all vertical uprights of the rack