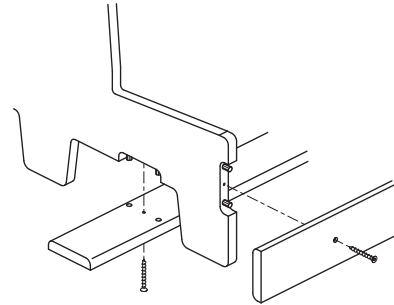
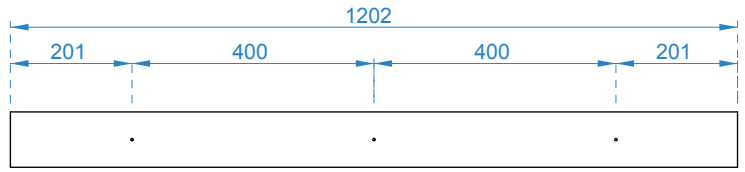
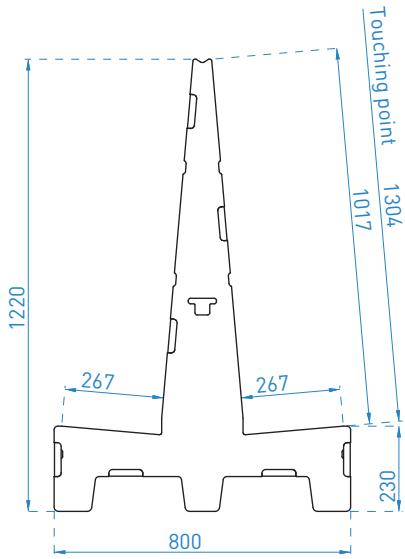


Assembly Guidelines

SG80.120/ 2 Uprights

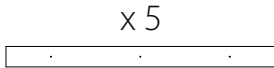
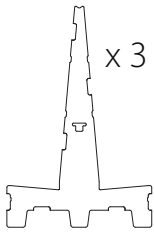
SG80.120/ 3 Uprights

SG80.120/ 4 Uprights



LIMITED USE

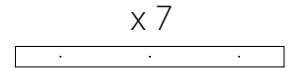
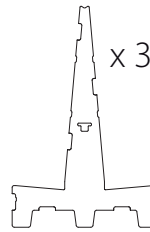
WEIGHT: 17 KG



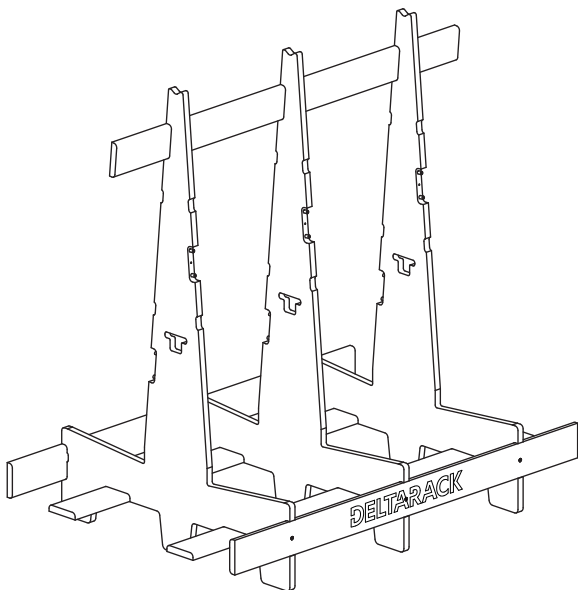
Torx 20
⊕  x 15

EXTENSIVE USE

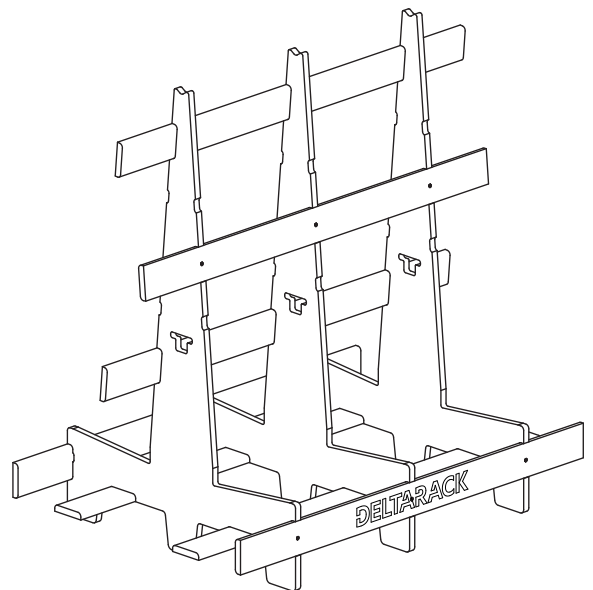
WEIGHT: 19 KG



Torx 20
⊕  x 21

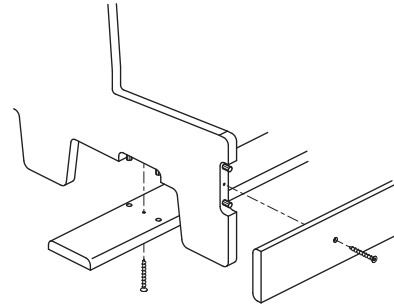
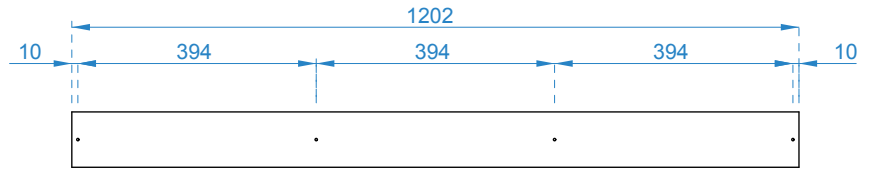
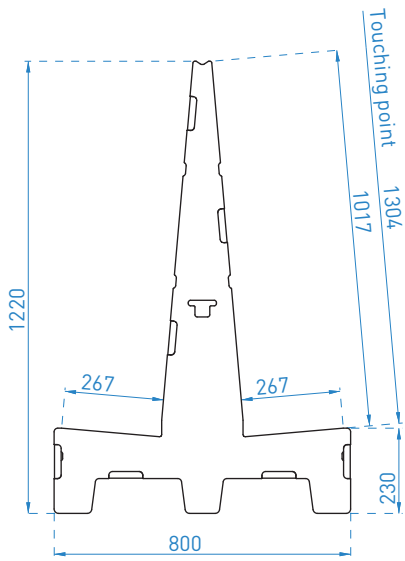


SG80.5.120 / 3 uprights



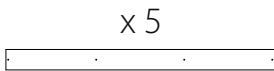
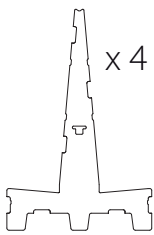
SG80.7.120 / 3 uprights

(*) Load needs to be equally distributed over all vertical uprights of the rack



LIMITED USE

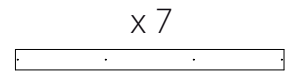
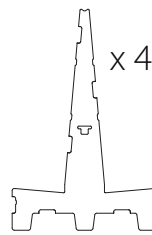
WEIGHT: 20 KG



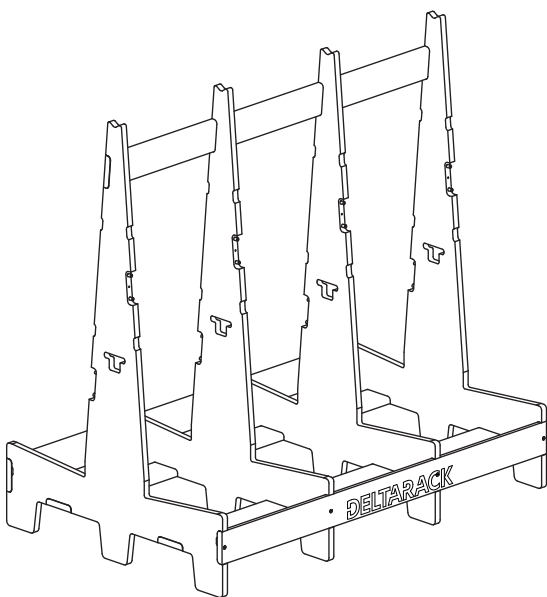
Torx 20
⊕ x 20

EXTENSIVE USE

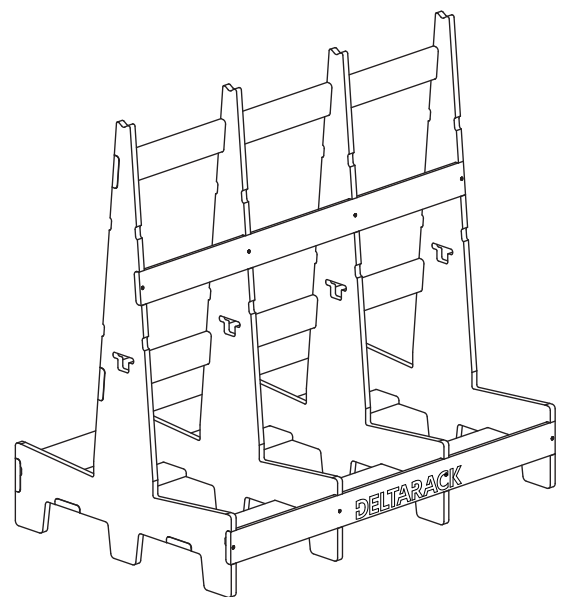
WEIGHT: 22 KG



Torx 20
⊕ x 28



SG80.5.120 / 4 uprights



SG80.7.120 / 4 uprights

(*) Load needs to be equally distributed over all vertical uprights of the rack