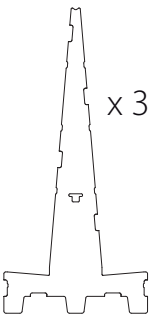
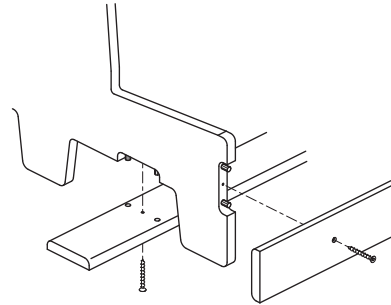
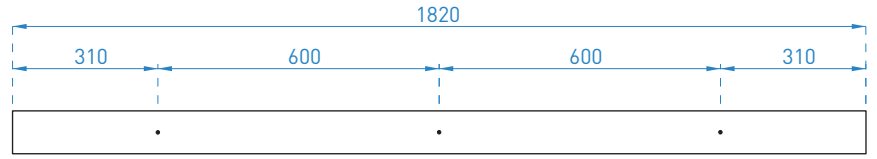
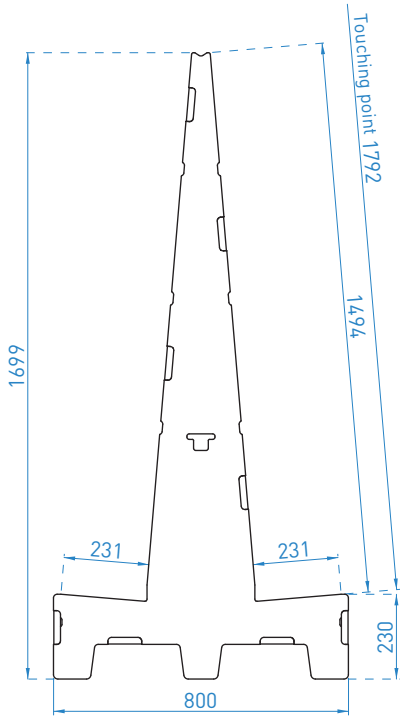


Assembly Guidelines

SR80.180/ 3 Uprights

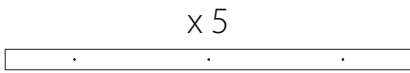
SR80.180/ 4 Uprights

SR80.180/ 6 Uprights

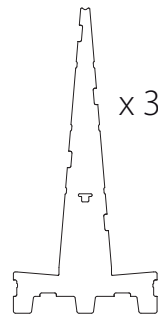


LIMITED USE

WEIGHT: 24 KG

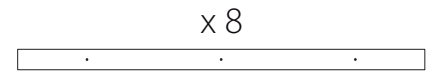


Torx 20
⊕ x 15

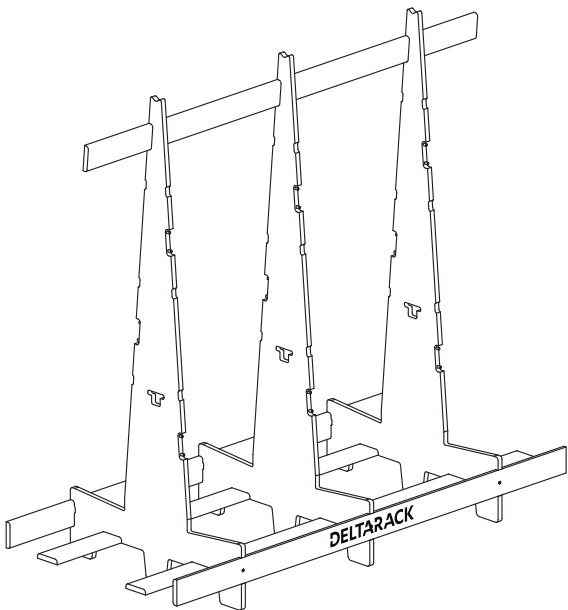


EXTENSIVE USE

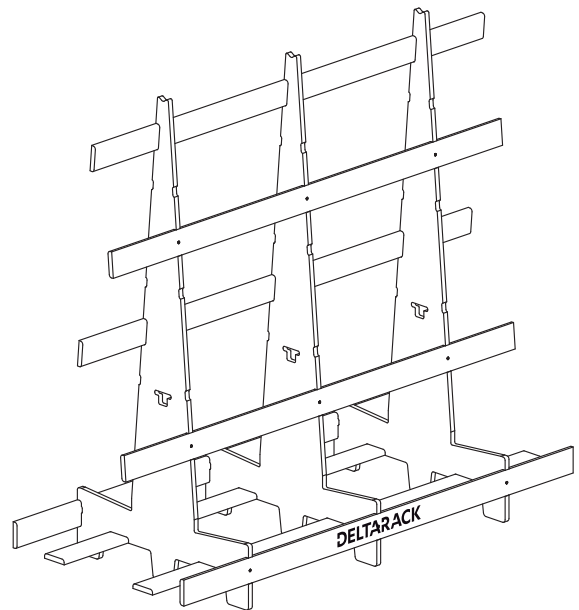
WEIGHT: 30 KG



Torx 20
⊕ x 24

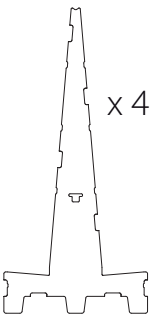
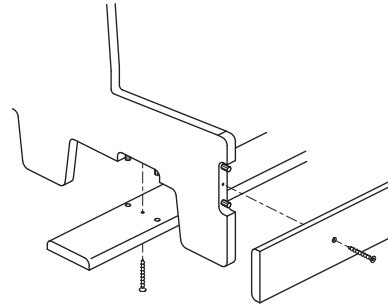
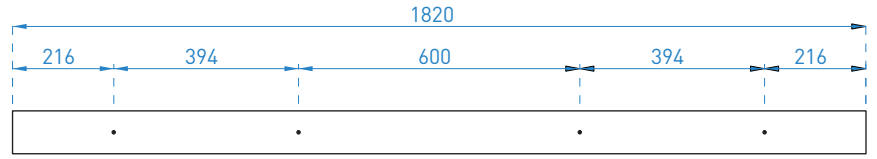
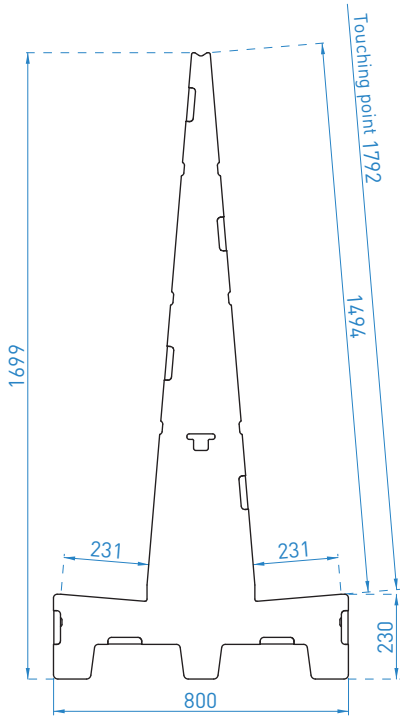


SR80.5.180 / 3 uprights



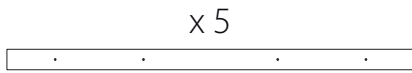
SR80.7.180 / 3 uprights

(*) Load needs to be equally distributed over all vertical uprights of the rack

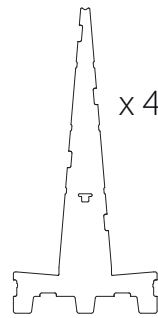


LIMITED USE

WEIGHT: 29 KG

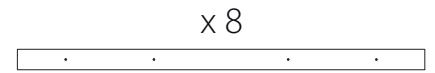


Torx 20
⊕ x 20

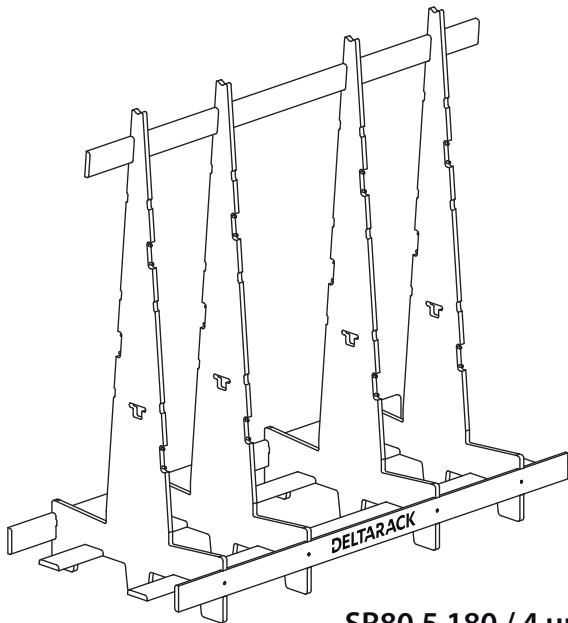


EXTENSIVE USE

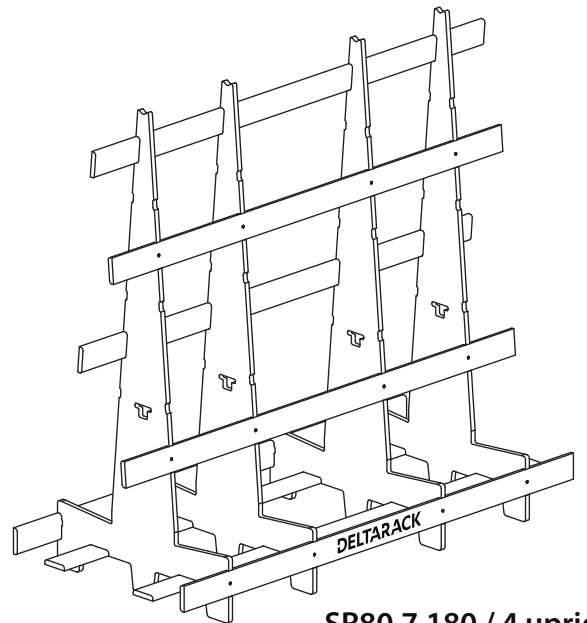
WEIGHT: 35 KG



Torx 20
⊕ x 32

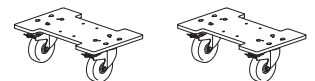


SR80.5.180 / 4 uprights

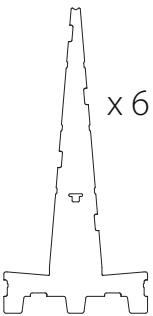
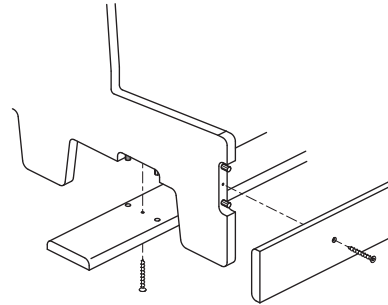
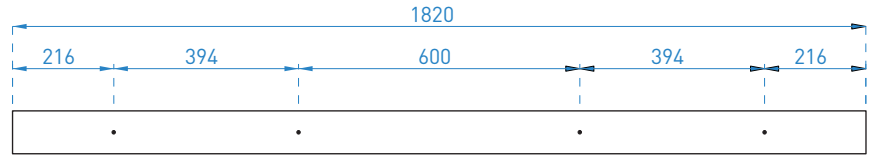
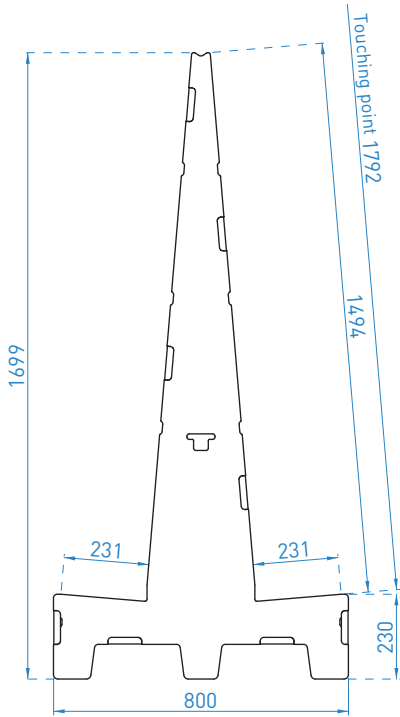


SR80.7.180 / 4 uprights

Optional
Wheelboard kit: WB80.40

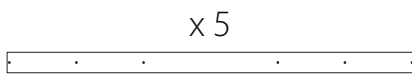


(*) Load needs to be equally distributed over all vertical uprights of the rack

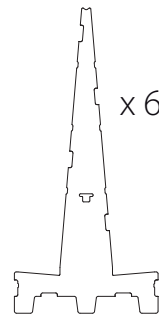


LIMITED USE

WEIGHT: 39 KG

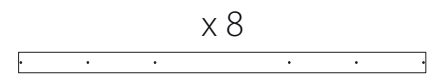


Torx 20
⊕ x 30

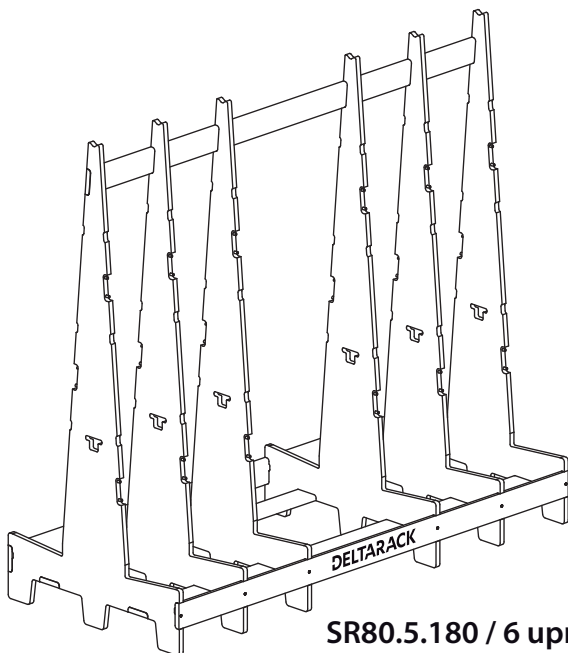


EXTENSIVE USE

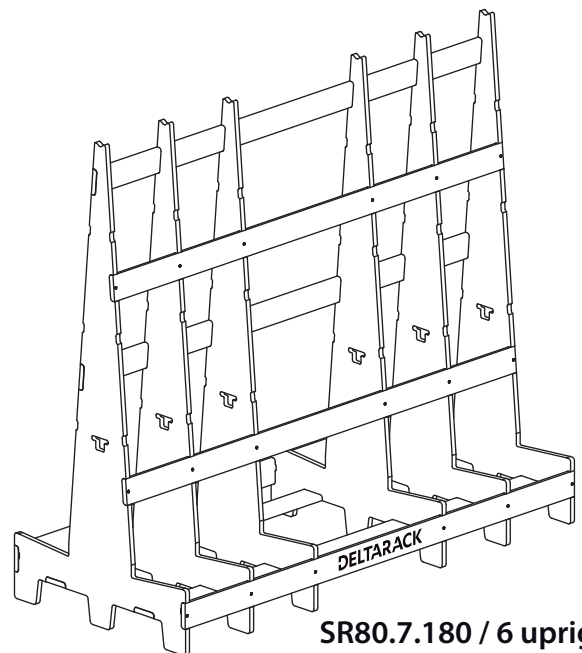
WEIGHT: 44 KG



Torx 20
⊕ x 48



SR80.5.180 / 6 uprights



SR80.7.180 / 6 uprights

Optional
Wheelboard kit: WB80.30



(*) Load needs to be equally distributed over all vertical uprights of the rack