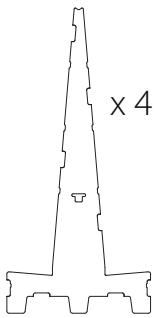
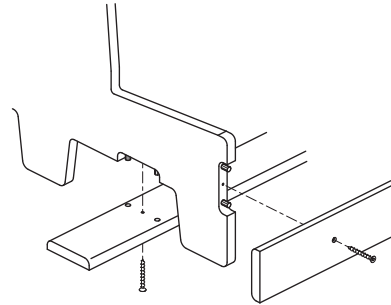
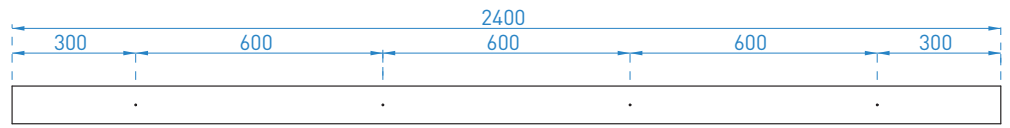
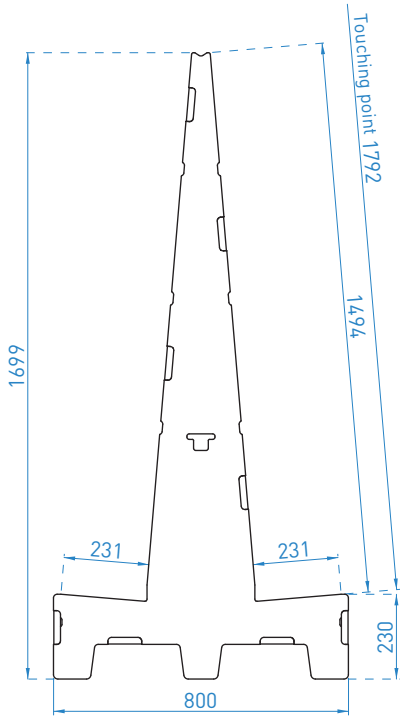


Assembly Guidelines

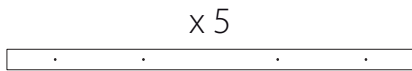
SR80.240/ 4 Uprights

SR80.240/ 6 Uprights

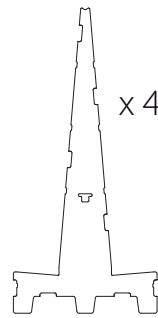


LIMITED USE

WEIGHT: 32 KG

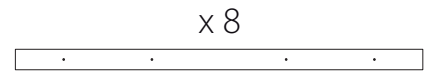


Torx 20
⊕ x 20

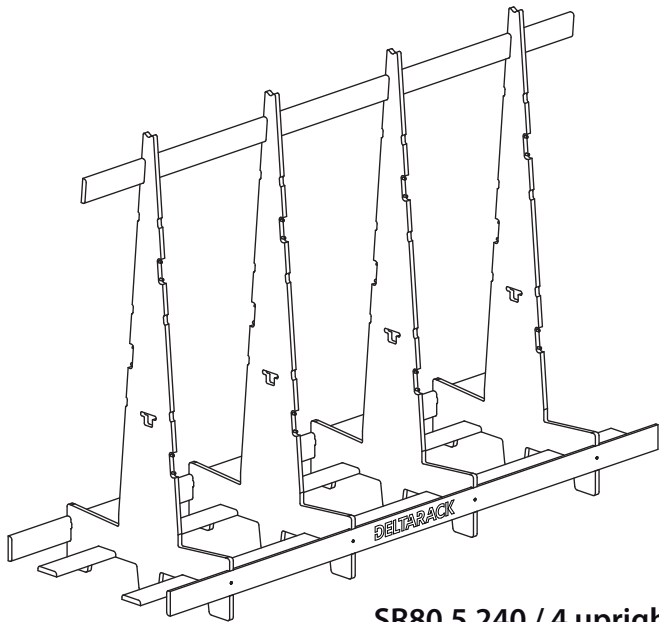


EXTENSIVE USE

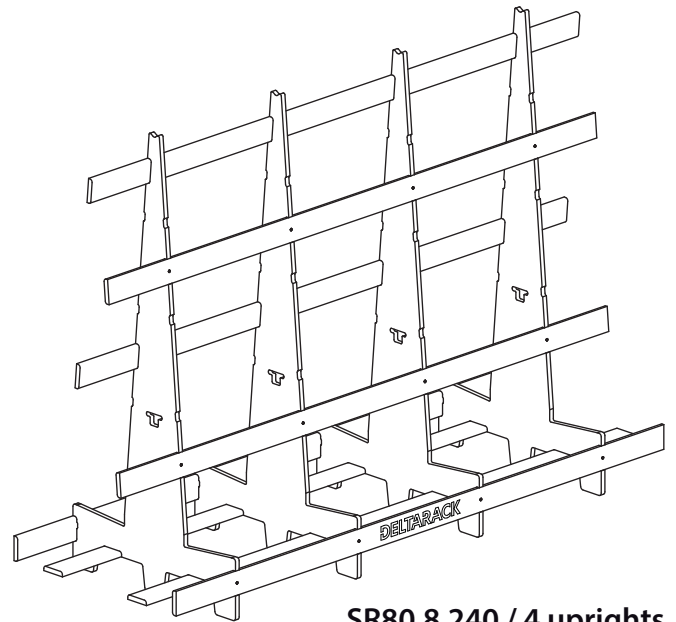
WEIGHT: 40 KG



Torx 20
⊕ x 32



SR80.5.240 / 4 uprights

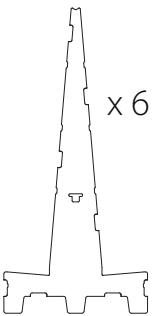
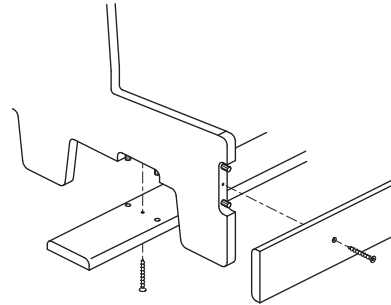
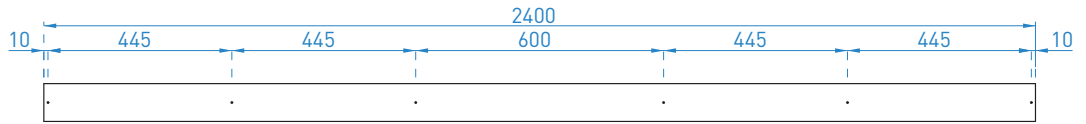
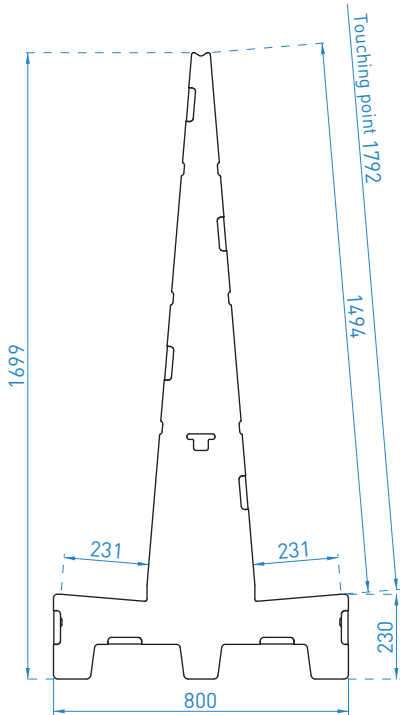


SR80.8.240 / 4 uprights

Optional
Wheelboard kit: WB80.60

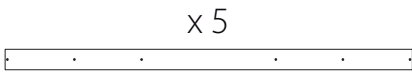


(*) Load needs to be equally distributed over all vertical uprights of the rack

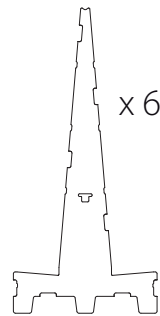


LIMITED USE

WEIGHT: 42 KG

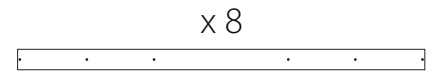


Torx 20
⊕ x 30

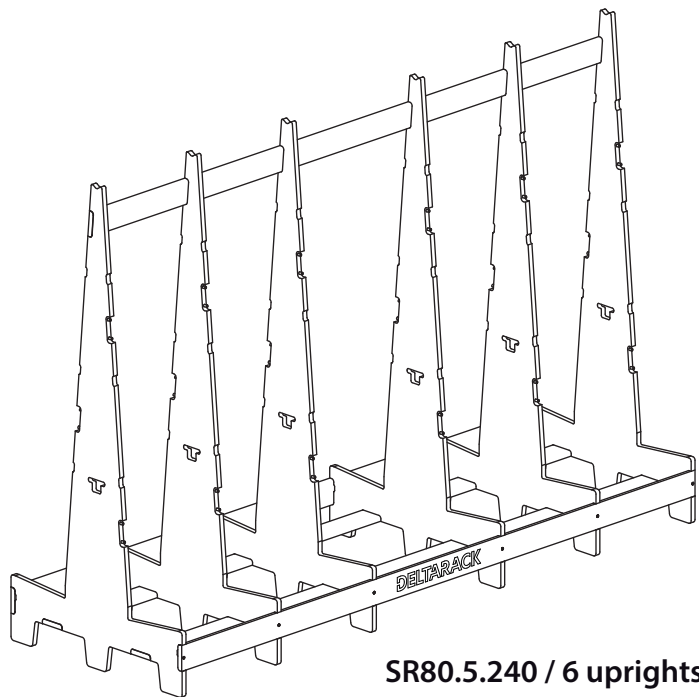


EXTENSIVE USE

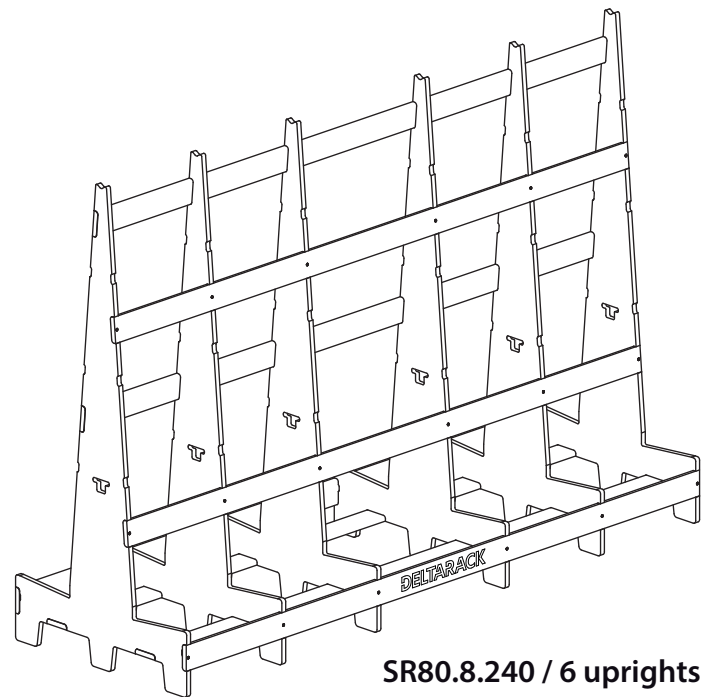
WEIGHT: 50 KG



Torx 20
⊕ x 48



SR80.5.240 / 6 uprights



SR80.8.240 / 6 uprights

(*) Load needs to be equally distributed over all vertical uprights of the rack